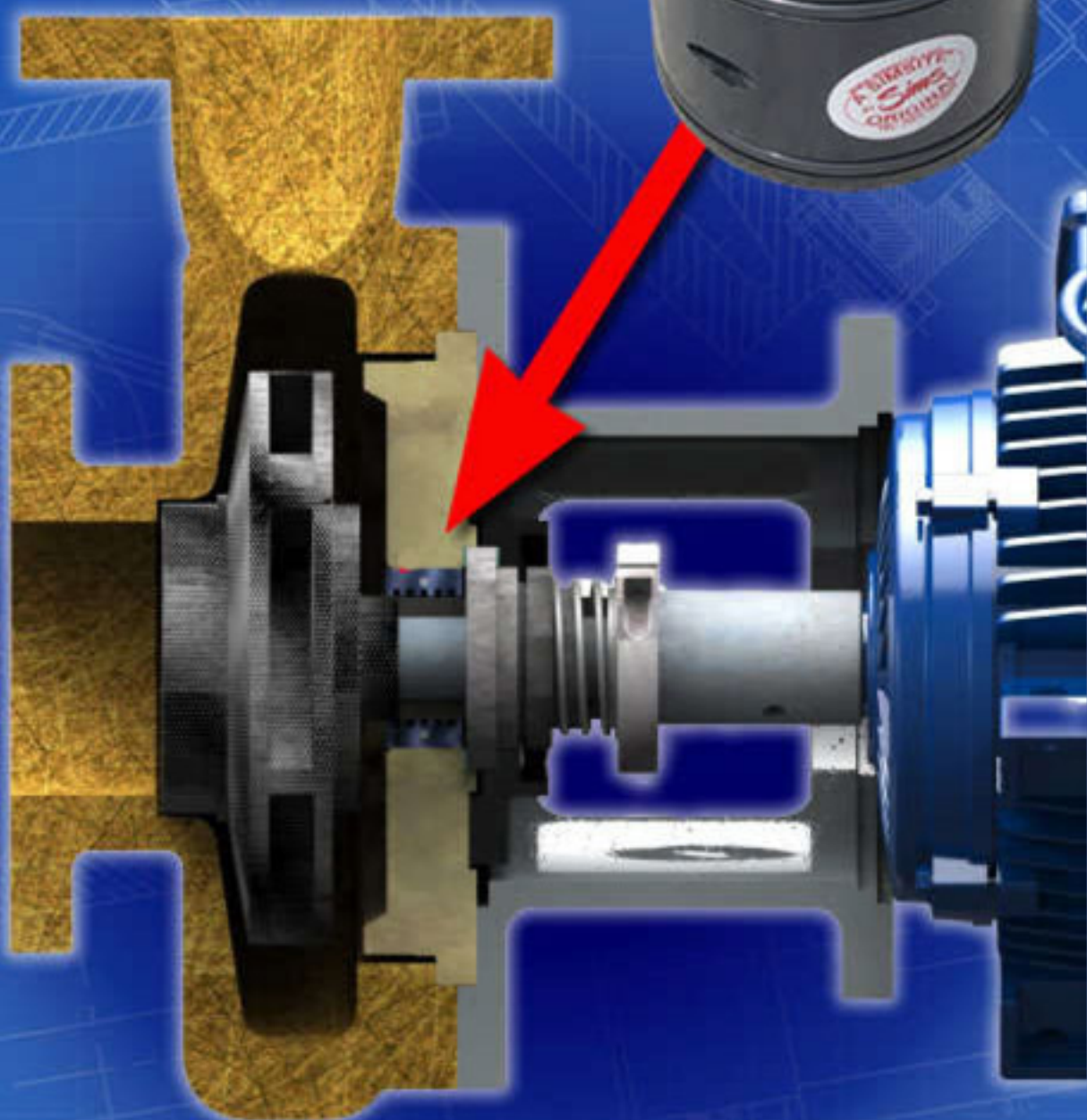


NEW!

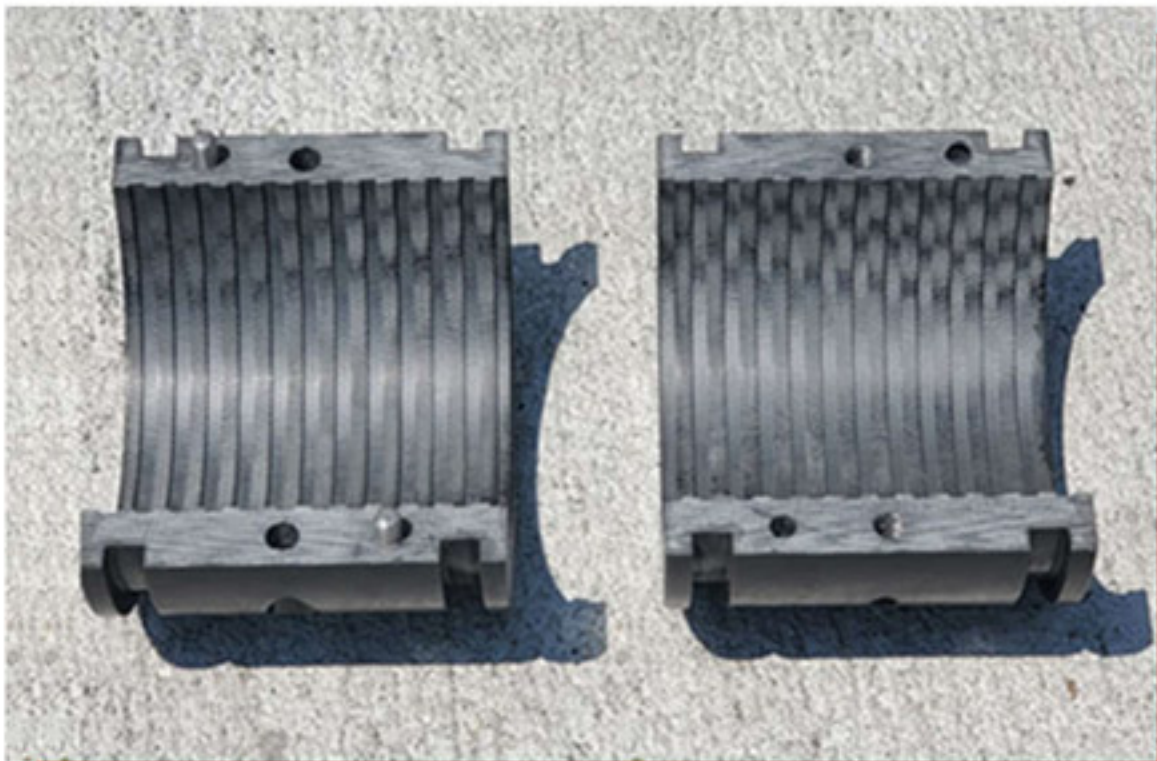
ELIMINATE SHAFT DEFLECTION !

SIMSITE® Stabilizing Bushing
for All Pumps & Rotating
Equipment!

PATENT PENDING!



Any Shaft, or Rotating Element can now be secured with the SIMSITE® Structural Composite SPLIT STABILIZING BUSHING! The SIMSITE® Split Stabilizing Bushing Reduces Shaft Deflection & Vibration and is 100% machined on the outside as well, as the inside from solid blocks of the patented SIMSITE® Structural Graphite Composite. This SIMSITE® Split Stabilizing Bushing is NOT cast, or molded. The two halves of the stabilizing bushing are 100% concentric with each other and can easily be manufactured to specific bore and shaft sizes.



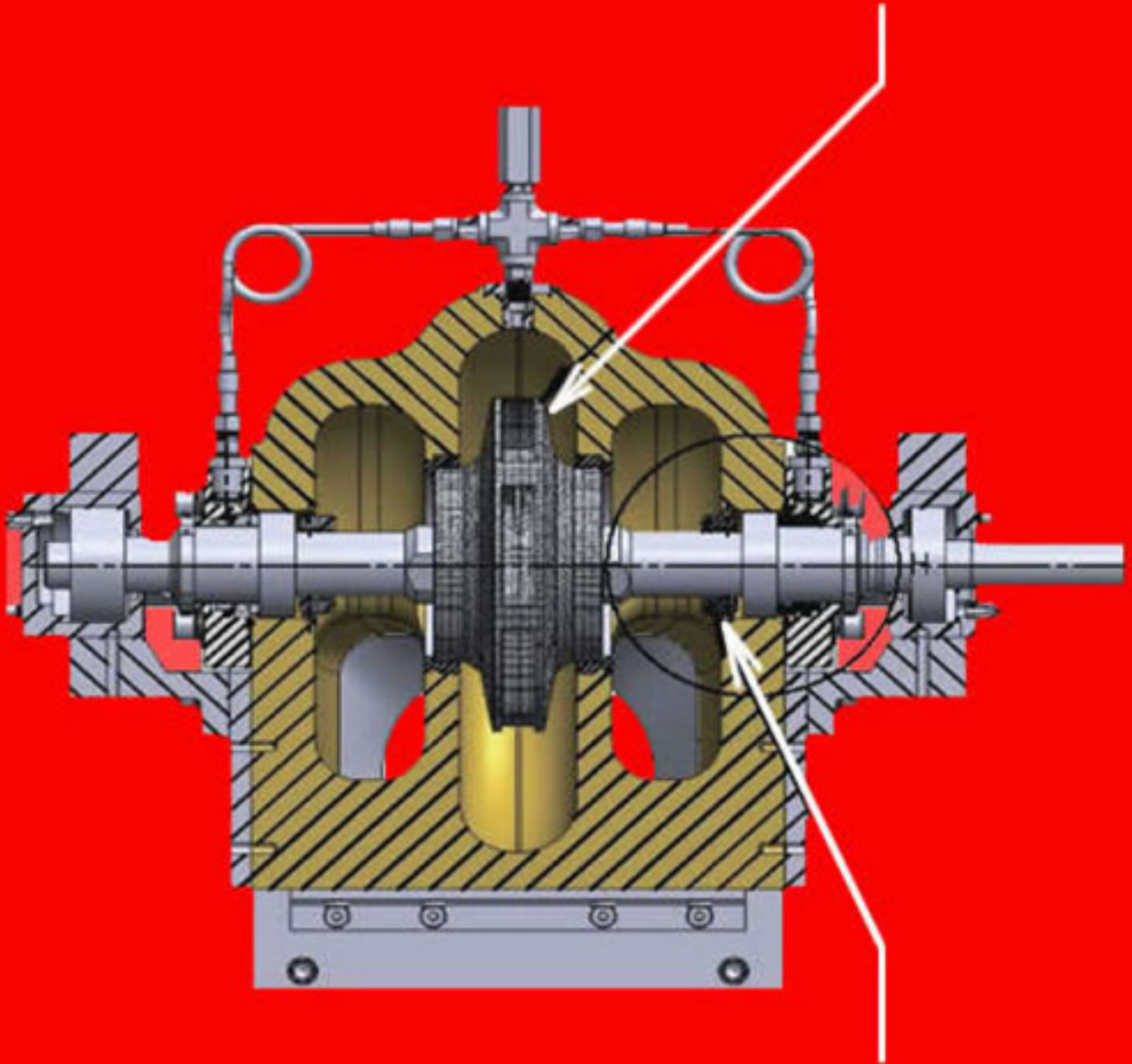
The SIMSITE® Structural Composite Split Stabilizing Bushing is pressed into the stuffing box (mechanical seal chamber) For uneven Seal Chambers the SIMSITE® Split Stabilizing Bushing has O-rings on the outer diameter. SIMSITE® Stabilizing Bushings can be manufactured to any size, or shape to fit any seal chamber!



- Reduces Shaft Deflection
- Reduces Pressure in the Seal Chamber
- Protects Mechanical Seals
- Eliminates Seal Erosion
- Increases Bearing Life
- Increases Seal Life
- Extends Motor Life
- Removes Air & Heat
- Structural Composite
- Reduces Vibration
- Split for Easy Installation
- Prevents Contaminants from damaging seal faces

SIMSITE®

Structural Composite
Impeller and Casing Ring



SIMSITE®

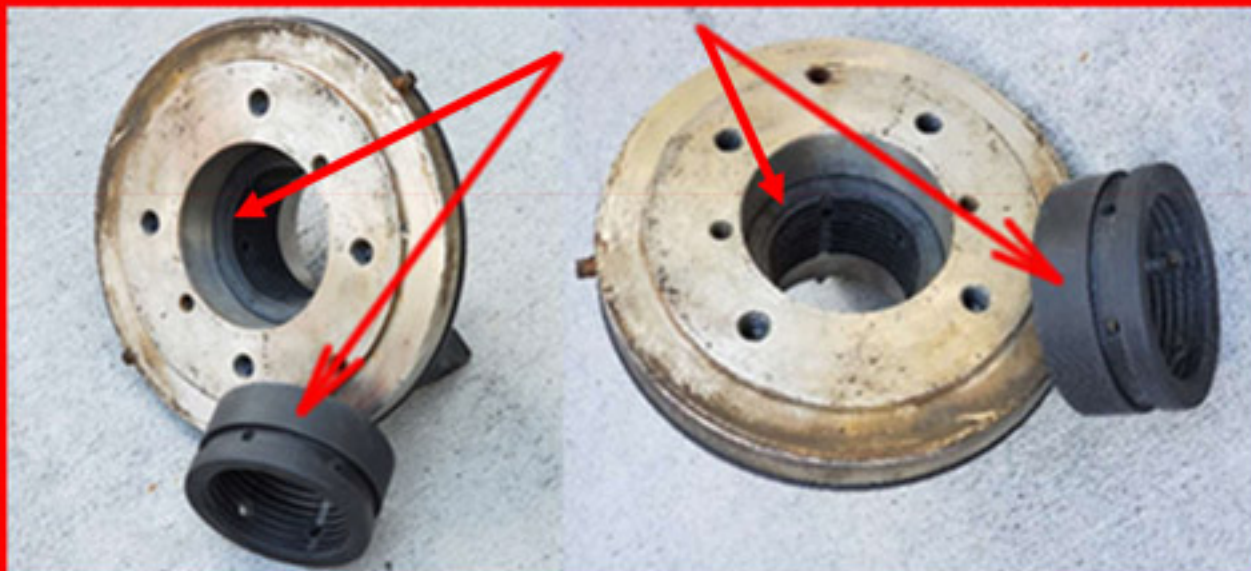
Split Structural
Composite Stabilizing Bushing

- Made from SIMSITE® Structural Graphite Combination-fiber Composite for maximum Strength and Stability
- Split Design for Easy Installation
- Radial Grooves on the Inside Diameter to Reduce Pressure into the Seal Chamber and to Prevent Particulates from damaging the Seal Faces

- Axial Grooves for Better Lubrication & for Venting Air & Heat

- Loose Graphite is embedded in the SIMSITE® Split Structural Composite Stabilizing Bushing for Better Lubricity

SIMSITE® Stabilizing Bushing



SIMS
SINCE 1919

Email: Simsite1@Simsite.com or Simsite1@aol.com

Phone: 1-201-792-0600

SIMS PUMP Valve Company, Inc.
1314 Park Avenue
Hoboken, NJ 07030 USA