

Simsite®

Sleeves

THE Only true Corrosion resistant-seal when **RELIABILITY** Counts



- Light Weight
- Self-Lubricating
- Longer Life Cycle
- Erosion Resistance
- Corrosion Resistance
- Better Wear Resistance

Sims Pump Valve Company, Inc

1314 Park Avenue, Hoboken, NJ 07030 P (201) 792-0600 F (201) 792 4803

www.simsite.com

Simsite® Sleeves

For Marine & Industrial Applications

All Corrosive Services

OUR PRODUCT:

Sims proudly manufactures sleeves machined from our engineered **SIMSITE®** Structural Graphite Composite material made of graphite fibers continuously interwoven in a tridimensional weave with a hybrid epoxy/phenolic resin system.

Our sleeves are 100% machined from solid blocks of **SIMSITE®**, and capable of continuous operation at 150 degrees Celsius and possess excellent mechanical properties and chemical resistance.

OUR ADVANTAGE:

- Corrosion Resistant
- Exceptional Mechanical Strength
- Eliminates Electrolysis
- Light Weight
- Increases Operating Lifetime
- Can take dry Starts



Contrary to metal sleeves, **SIMSITE®** Composite Sleeves allow for easy installation and removal. They are protective of the shaft against corrosion, electrolysis and wear.



Set screws installed into **SIMSITE®** Composite Sleeves will never slip.

Compatibility with a wide range of chemicals allows for the use of **SIMSITE®** Composite Sleeves in a vast variety of environments.

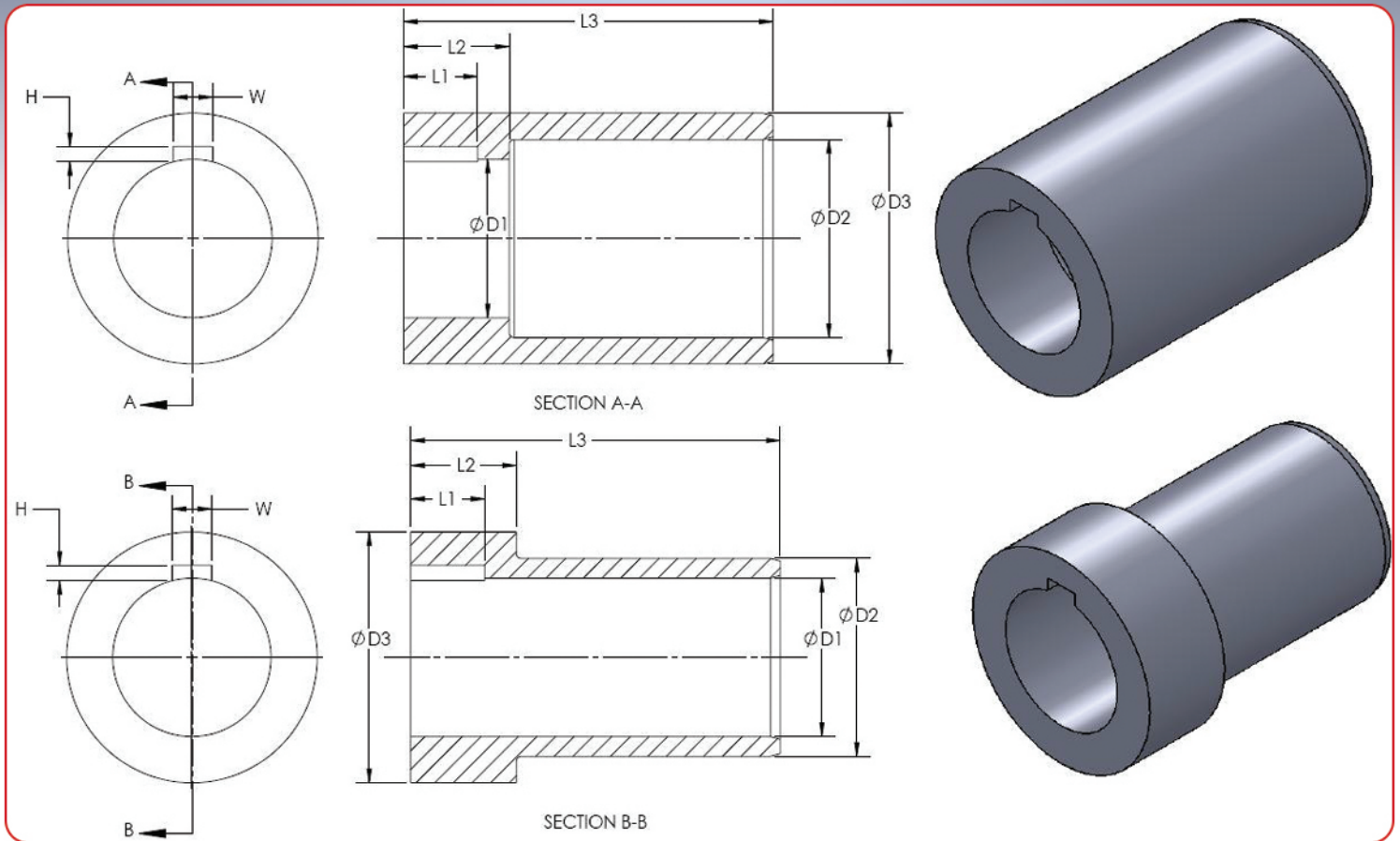
The structural integrity of our sleeves allows for usage coinciding with a wide range of packing material and multiple grades of orings.

All **SIMSITE®** Composite Sleeves are precision-machined on CNC lathes to meet the most stringent specifications.



Simsite® Sleeves

Measure Up Form:



Simsite® sleeves are manufactured customized to your specifications and can be made in over five (5) different types of materials.

**Technical Data for Mechanical Properties of
Simsite® 375 Sleeves**

Material Properties and Test Method	SIMSITE® 375	
	Imperial	Metric
Tensile Strength ASTM D638 psi / N/mm2	54,500	376
Flexural Strength ASTM D790 psi / N/mm2	67,700	467
Compressive Strength ASTM D695 psi / N/mm2	68,300	471
Young's Modulus of Elasticity ASTM D638 / N/mm2	3,255,000	22,443
Temperature Deg (Continuous Operation) deg F / deg C	300	149
Moisture Absorption ASTM D570 (% in 48 Hrs)	0.15%	
Specific Gravity	1.8	



Sims Pump Valve Company, Inc.
 1314 Park Avenue, Hoboken, NJ 07030 USA
 Phone (201) 792-0600 Fax (201) 792-4803
www.SIMSITE.com